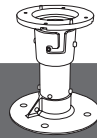


# Installation



POLE MOUNT STAND

## CONTENTS

1. POLE MOUNT STAND	1 EA	5. SPRING WASHER Ø4	5 EA
2. M10 x 45 BOLT & NUT	4 EA	6. WRENCH (3mm)	1 EA
3. FLAT WASHER	4 EA	7. SCREW M4 x 16	5 EA
4. SPRING WASHER Ø10	4 EA	8. MANUAL	1 EA

- When you install IR PTZ Camera on the pole, make 4 holes at the edge with Ø13 in diameter and 37mm in depth. Make also a hole for the cables with about Ø30 ~ 50 in diameter in the bottom center of the bracket. (FIG. 1)

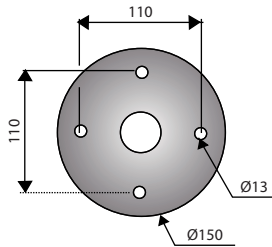


FIG. 1

- Pass the cables of the camera through the inside of Pole Stand and connect the camera to the Pole Stand with pieces of M4 x 16 screws. (FIG. 2)
- Connect the Safety Wire of the camera to the bracket. In order to avoid getting entangled in the camera, fasten the Safety Wire to the bracket with Cable Tie. (FIG. 3)

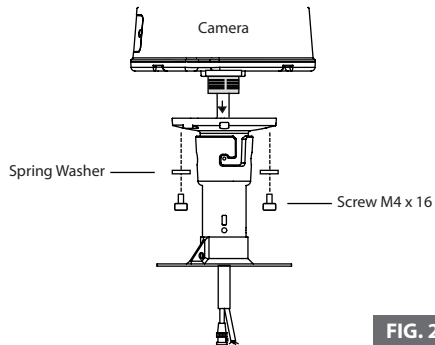


FIG. 2

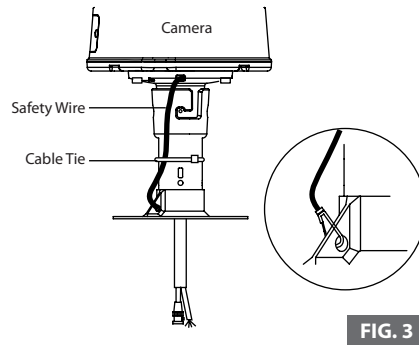
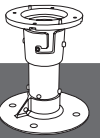


FIG. 3

# Installation



POLE MOUNT STAND

- Install 4 pieces of Anchor bolt in the Ø13 holes at the edge and connect the cables. (FIG. 4)

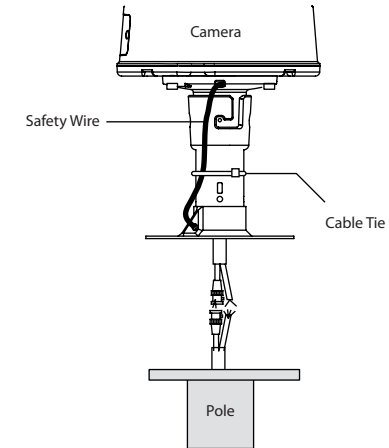


FIG. 4

- Adjust the camera and Pole Stand to M10 x 45 Bolt and Flat Washer, Spring Washer. And then tight enough with Nuts. (FIG. 5)

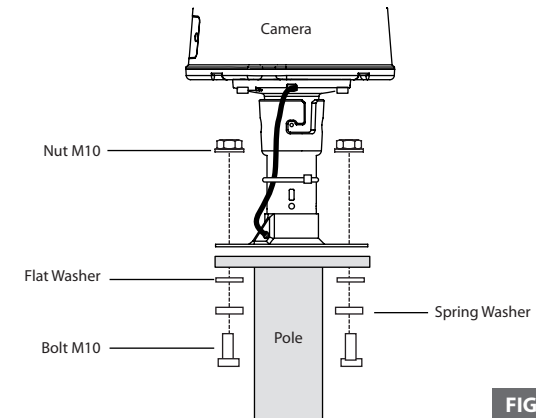


FIG. 5