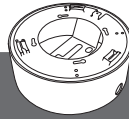


Installation



INDOOR HOUSING ADAPTOR

CONTENTS

1. INDOOR HOUSING	1 EA	3. M4 x 8 SCREW	5 EA
2. PIPE NUT	2 EA	5. MANUAL	1 EA

1. After screwing pipe nut on the pipe and inserting it into housing, fix the pipe with housing by screwing the nut again. (FIG.1)
2. Fix the ceiling bracket on the housing by M4.0 screws. (FIG.2)
3. Tie the wire using the cable tie. (FIG.2)
4. Let the wires to be put into the square hole.
Place the Camera Mount Holder on the Bracket Mount Hole. (FIG.2)
To insert them easily, keep 10 interval of Lock Holder1 and Holder2. (FIG.3)

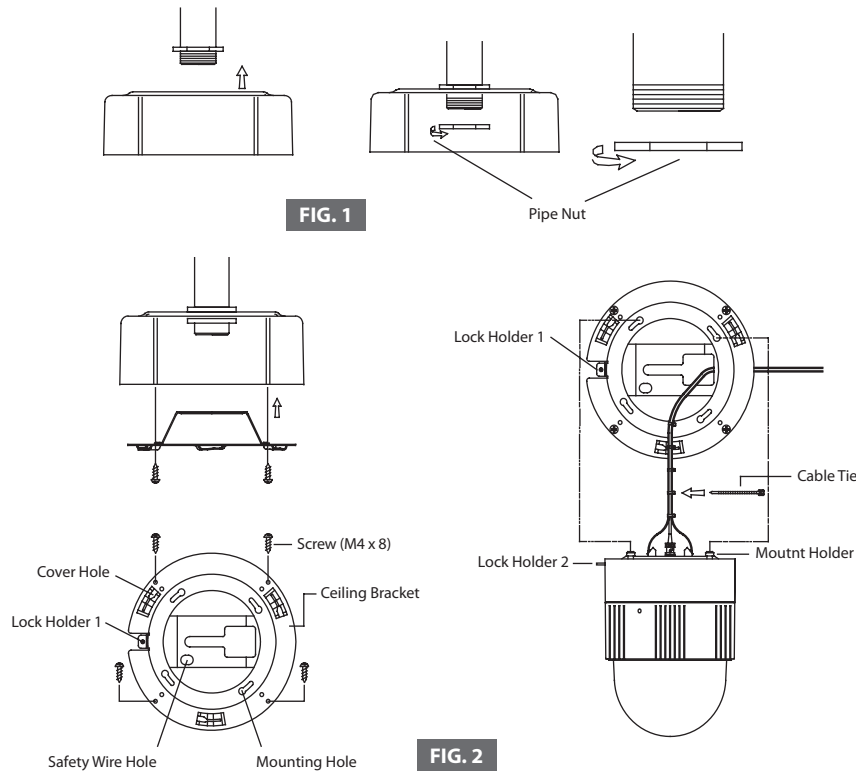


FIG. 2

Installation



INDOOR HOUSING ADAPTOR

5. To assemble, rotate the camera clockwise by 10 . (FIG.3)
6. Screw up Lock Holders with screws (M3) (FIG.4)
7. Assemble the Cover.
Fix three Cover Locks to three Cover Holes rotating clockwise. (FIG.5)

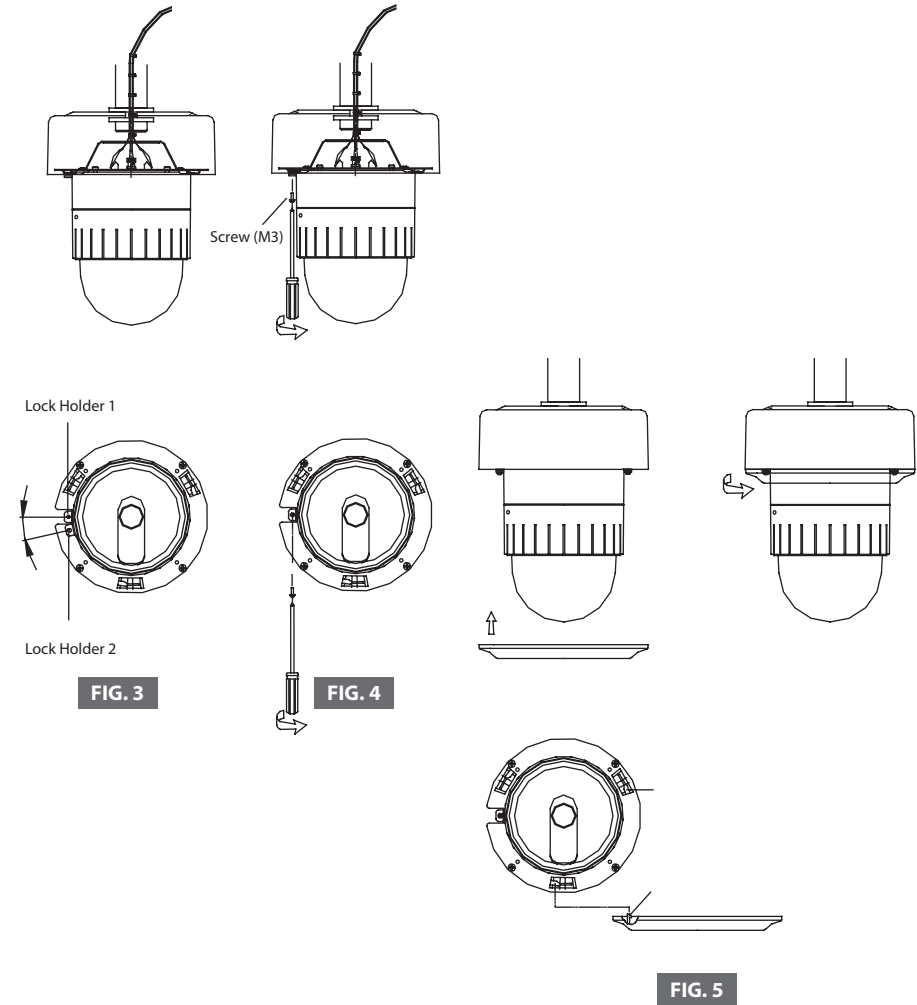


FIG. 3

FIG. 4

FIG. 5