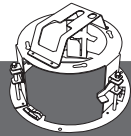


# Installation

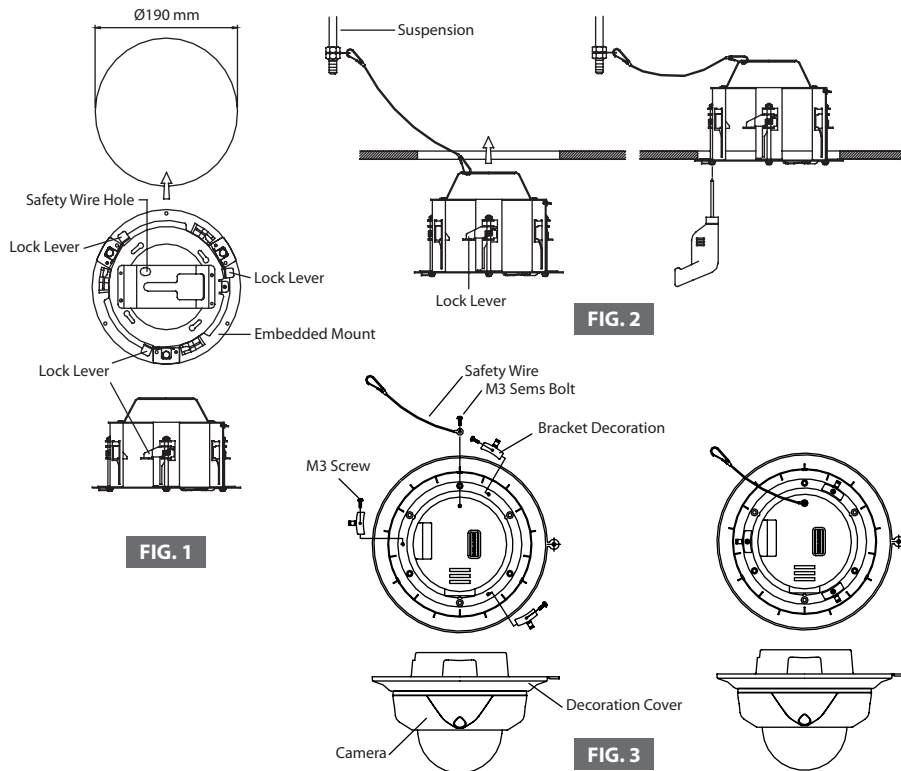


EMBEDDED MOUNT

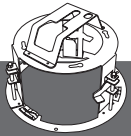
## CONTENTS

1. EMBEDDED MOUNT BRACKET	1 EA	5. BRACKET DECORATION	3 EA
2. SEMS BOLT M3 x 8	1 EA	6. SAFETY WIRE	1 EA
3. M3 x 6 SCREW	4 EA	7. COVER DECORATION	1 EA
4. T4 x 16 SCREW	1 EA	8. MANUAL	1 EA

1. Make a hole,  $\varnothing 190\text{mm}$ , on the ceiling. (FIG. 1)
2. Hook the safety wire to suspension and the safety wire hold on the bracket. Fold the lock levers and insert the bracket into the hole. You can fix the lock lever by driving screws. (FIG. 2)
3. Fix the decoration cover on the rear of camera by Bracket Decoration screws (M3 x 6). (FIG. 3)



# Installation



EMBEDDED MOUNT

4. Drive the screw (M3 x 8 Sems Bolt) to fix safety wire of camera and hook the safety wire over safety wire hold of embedded mount bracket. (FIG. 4)
5. Install the cover by inserting cover lock and twisting clockwise. (FIG. 5)
6. Fix the decoration cover by screw (T4 x 16). (FIG. 5)

