

Installation



WALL MOUNT

CONTENTS

1. WALL MOUNT BRACKET	1 EA	4. WRENCH (3mm)	1 EA
2. SET ANCHOR BOLT (W5/16)	4 EA	5. MANUAL	1 EA
3. M4 x 12 SCREW	5 EA		

- If you want to install the speed dome on the concrete wall, you need to make 13mm diameter 4 holes by drill like FIG. 1. (Depth 37mm)
- Install SET ANCHOR BOLT on the holes.
- Fix the SET ANCHOR BOLT of the bracket by nut. (FIG. 2)

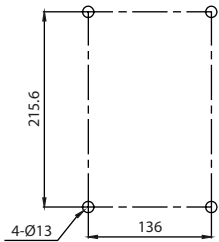
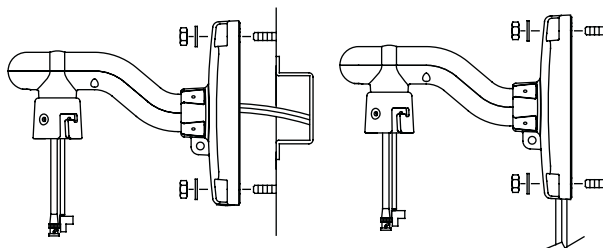


FIG. 1



[The Cable Into the Ceiling]

FIG. 2

[The Cable Out of the Ceiling]

- Put the Outdoor Bracket and the Outdoor housing together with M4 Screw as FIG. 3.
- Fit the Outdoor Bracket into the groove of the Wall Mount Bracket as FIG. 4.
- Hang the Safety Wire 1 of the Outdoor Bracket up in the Wall Mount Bracket and tighten them up with Screw M4 x 8. (FIG. 5)

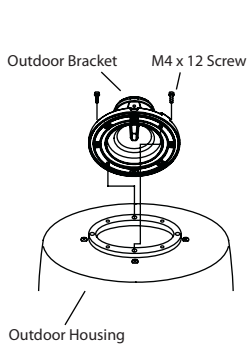


FIG. 3

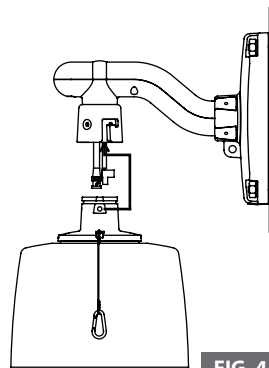


FIG. 4

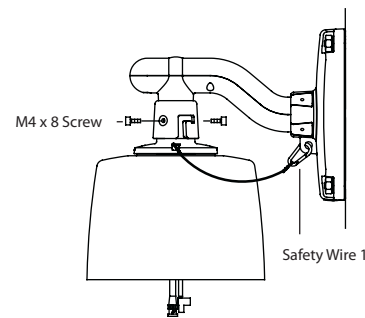


FIG. 5

Installation



WALL MOUNT

- Hang the Safety Wire 2 of the Outdoor Housing up in the Camera as FIG. 6. You can make wires simple by cable ties. Insert mount holder and twist the camera counterclockwise. (FIG. 11)
- Place the Camera mount Holder on the Bracket Mount Hole. To insert them easily, keep 10° interval of Lock Holder 1 and Lock Holder 2. Screw up Lock Holders with screws. (FIG. 7)
- Screw up the bubble rightly to prevent water leakage. (FIG. 8)

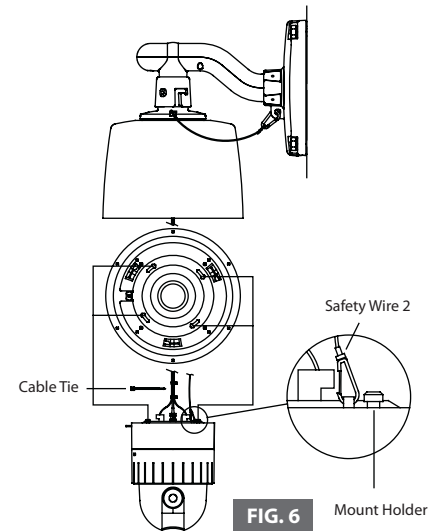


FIG. 6

Mount Holder

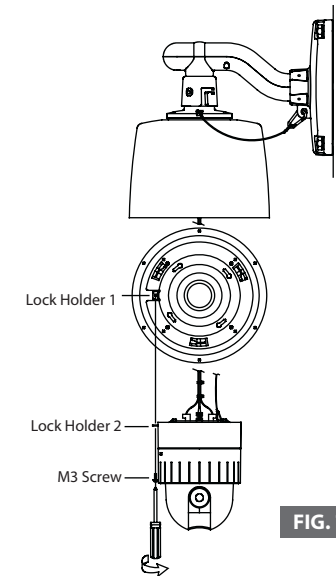


FIG. 7

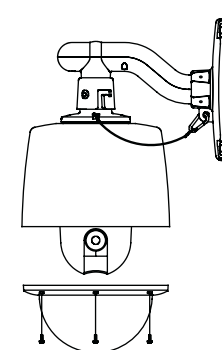


FIG. 8