

Installation



CONTENTS

1. CEILING MOUNT BRACKET	1 EA	4. SPRING WASHER Ø4	5 EA
2. SET ANCHOR BOLT (W5/16)	4 EA	5. WRENCH (3mm)	1 EA
3. M4 x 16 SCREW	5 EA	6. MANUAL	1 EA

1. If you want to install the IR PTZ on the ceiling, make 4 holes at the edge with $\varnothing 13\text{mm}$ in diameter and 37mm in depth. If you want to connect the cables from the inside of the ceiling, also make a hole for the cables with about $\varnothing 30 \sim \varnothing 50$ in diameter in the center of 4 edges. (FIG. 1)
2. Connect the Ceiling Mount Bracket to the Camera with 4 pieces of M4 x 16 screws and spring washer. (FIG. 2)
3. Connect the Safety wire of the Camera to the Bracket. In order to avoid getting entangled in the Camera, fasten the Safety wire to the bracket with Cable tie. (FIG.3)

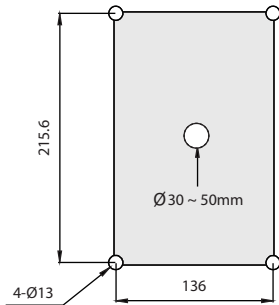


FIG. 1

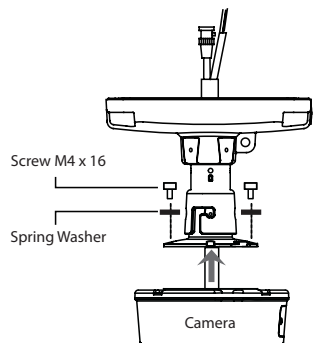


FIG. 2

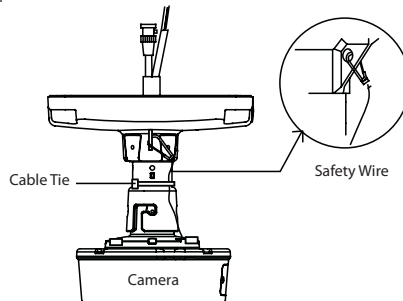


FIG. 3

Installation



4. When you want to connect the cables from the inside of ceiling, pass the cables through the ceiling. When you want to connect the cables from the outside of ceiling, remove the hole cap from the side of the bracket and pass the cables through the hole. Install 4 pieces of Anchor bolt in the holes at the edge and tight enough with NUTS. (FIG. 4)
5. Connect the cables. (FIG. 5)

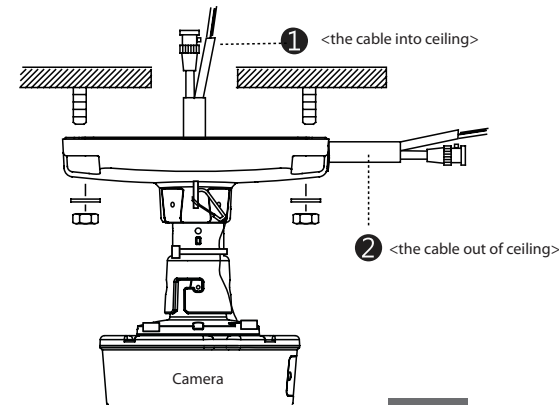


FIG. 4

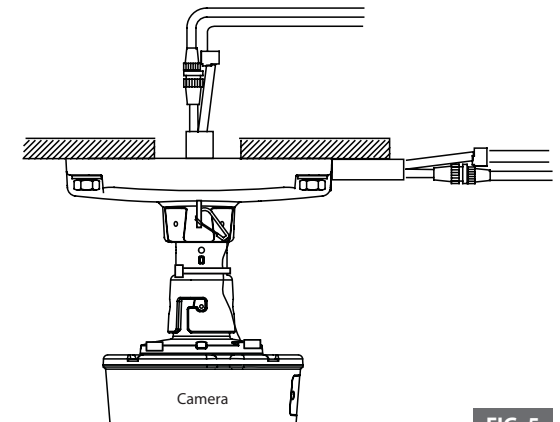


FIG. 5