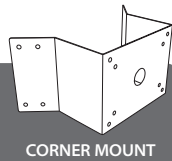


Installation



CONTENTS

1. CORNER MOUNT BRACKET	1 EA	3. M10 BOLT & NUT	4 EA
2. SET ANCHOR BOLT (W5/6)	8 EA	4. MANUAL	1 EA

A. Install on a wall bracket kits

- A-1. First mark the positions of holes placing the Corner Mount Bracket. (FIG. 1)
- A-2. Make $\varnothing 13\text{mm}$ 8 holes by drill. (Depth 37mm)
- A-3. Install SET ANCHOR BOLT on the holes.
- A-4. Fix the wanted Wall Mount Kits on the Corner Mount Bracket with 4 EA of M10 Bolt before you install the Corner Mount Bracket. (FIG. 2)
Screw the SET ANCHOR BOLT of the bracket by nut on the wall.

* Please confirm Wall Mount Bracket's direction.

In order to avoid the impact of the Camera and Bracket when moving, set in the long side as length and the short side as height.

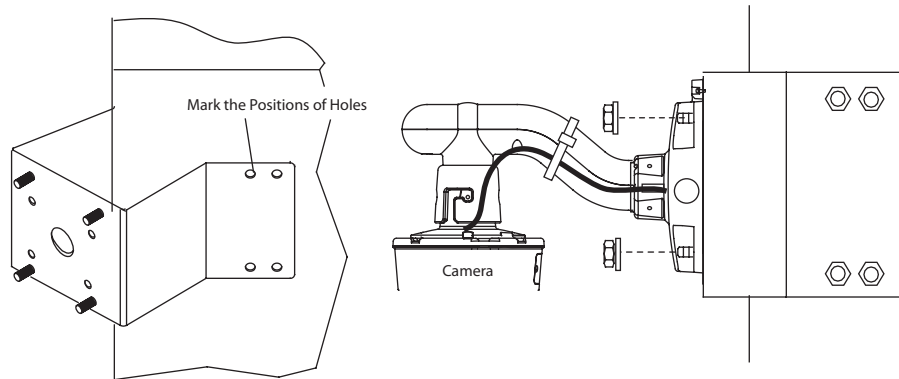
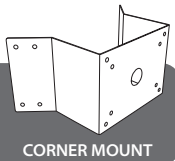


FIG. 1

FIG. 2

Installation



B. Install on a junction box

- B-1. First mark the positions of holes placing the Corner Mount Bracket. (FIG. 1)
- B-2. Make $\varnothing 13\text{mm}$ 8 holes by drill. (Depth 37mm)
- B-3. Install SET ANCHOR BOLT on the holes.
- B-4. Fix the wanted Junction Box on the Corner Mount Bracket with 4 EA of M10 Bolt before you install the Corner Mount Bracket. (FIG. 3)
Screw the SET ANCHOR BOLT of the bracket by nut on the wall.

* Junction Box use an outside hole of Pole Mount. (256.8 x 186.8)

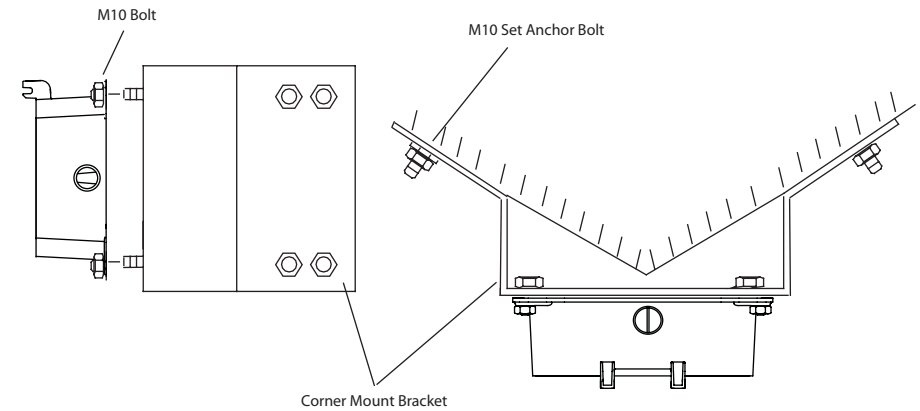


FIG. 3