

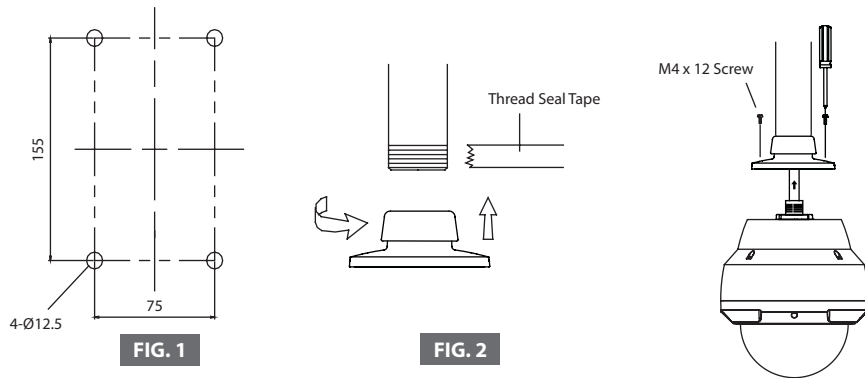
# Installation



## CONTENTS

1. GOOSENECK MOUNT BRACKET	1 EA	4. L-WRENCH (3mm)	1 EA
2. SET ANCHOR BOLT (W5/16)	4 EA	5. MANUAL	1 EA
3. M4 x 12 SCREW	5 EA		

1. If you want to install the speed dome on the concrete wall, you need to make 12.5mm diameter 4 holes by drill like FIG. 1. (Depth 37mm)
2. Install SET ANCHOR BOLT on the holes.
3. Swinding the THREAD SEAL TAPE and screw a cap on the pipe. (FIG.2)
4. Put the Pipe Mount Bracket and the PTZ Camera with M4 x 12 Screw as FIG. 3.
5. Fix Set Anchor Bolt Set of the bracket by nut.



# Installation



## CONTENTS

1. GOOSENECK MOUNT BRACKET	1 EA	4. L-WRENCH (3mm)	1 EA
2. SET ANCHOR BOLT (W5/16)	4 EA	5. MANUAL	1 EA
3. M4 x 12 SCREW	5 EA		

1. If you want to install the speed dome on the concrete wall, you need to make 12.5mm diameter 4 holes by drill like FIG. 1. (Depth 37mm)
2. Install SET ANCHOR BOLT on the holes.
3. Swinding the THREAD SEAL TAPE and screw a cap on the pipe. (FIG.2)
4. Put the Pipe Mount Bracket and the PTZ Camera with M4 x 12 Screw as FIG. 3.
5. Fix Set Anchor Bolt Set of the bracket by nut.

