

Installation



CONTENTS

1. CEILING MOUNT BRACKET	1 EA	4. L-WRENCH(3mm)	1 EA
2. SET ANCHOR BOLT (W5/16)	4 EA	5. MANUAL	1 EA
3. M3 x 6 SCREW	2 EA		

1. If you want to install the Camera on the concrete wall, you need to make 13mm diameter 4 holes by drill like FIG. 1. (Depth 37mm)
2. Install SET ANCHOR BOLT on the holes.
3. Fix the SET ANCHOR BOLT of the bracket by nut. (FIG. 2)

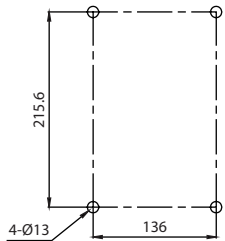


FIG. 1

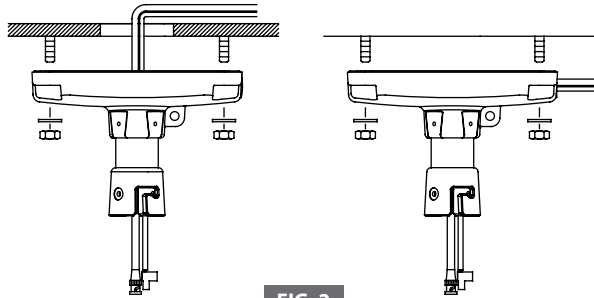


FIG. 2 [The Cable Into the Ceiling] [The Cable Out of the Ceiling]

4. Fit the Indoor Bracket into the groove of the Ceiling Mount Bracket as FIG. 3. Hang the Safety Wire 1 of the Indoor Bracket up in the Ceiling Mount Bracket and tighten them up with Screw M4 x 8. (FIG. 4)

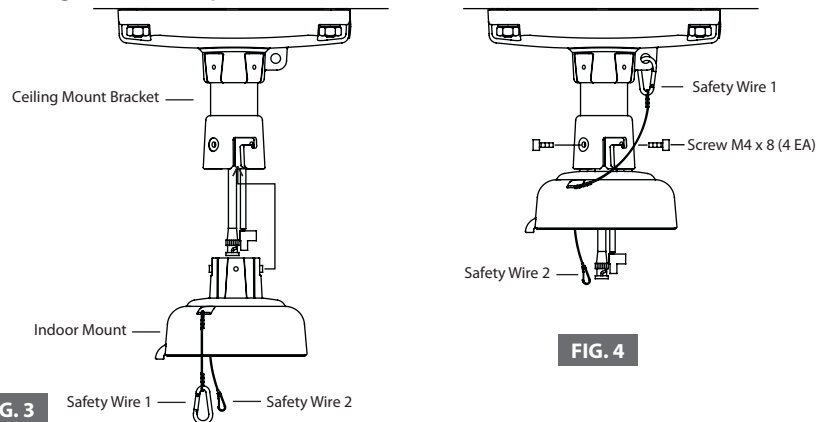


FIG. 4

FIG. 3 Safety Wire 1 Safety Wire 2

Installation



5. Hang the Safety Wire 2 of the Indoor Bracket up in the Camera as FIG. 6.
6. You can make wires simple by cable ties. Insert mount holder and twist the camera counterclockwise. (FIG. 6)
7. Place the Camera mount Holder on the Bracket Mount Hole. To insert them easily, keep 10° interval of Lock Holder 1 and Lock Holder 2.
8. Screw up Lock Holders with screws. (FIG. 7)

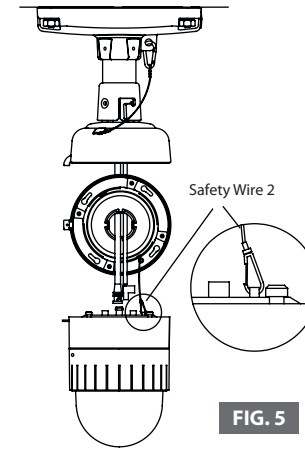


FIG. 5

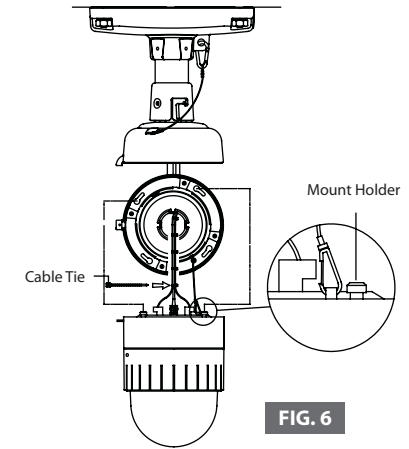


FIG. 6

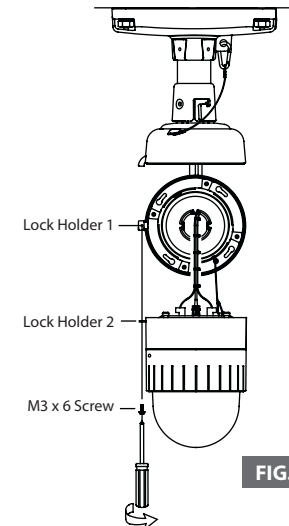


FIG. 7