

# Installation



## CONTENTS

1. GOOSENECK MOUNT BRACKET	1 EA	3. CAP	1 EA
2. SET ANCHOR BOLT (W5/16)	4 EA	4. MANUAL	1 EA

1. If you want to install the speed dome on the concrete wall, you need to make 12.5mm diameter 4 holes by drill like FIG. 1 ( Depth 37mm)
2. Install SET ANCHOR BOLT on the holes.
3. Drive a cap on the pipe. (FIG. 2)
4. After winding the THREAD SEAL TAPE, screw the bracket on the housing. (FIG. 3)
5. Fix SET ANCHOR BOLT SET of the bracket by nut.

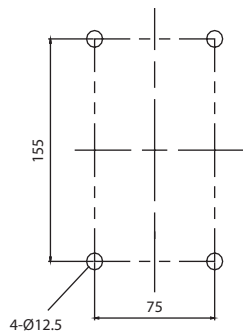


FIG. 1

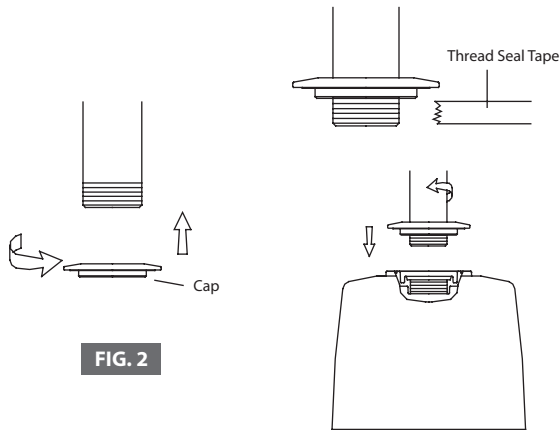


FIG. 2

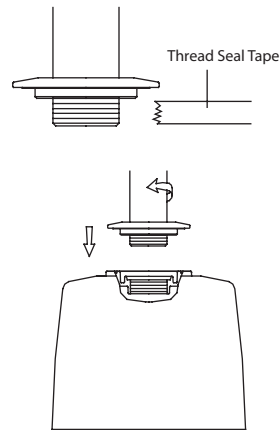


FIG. 3

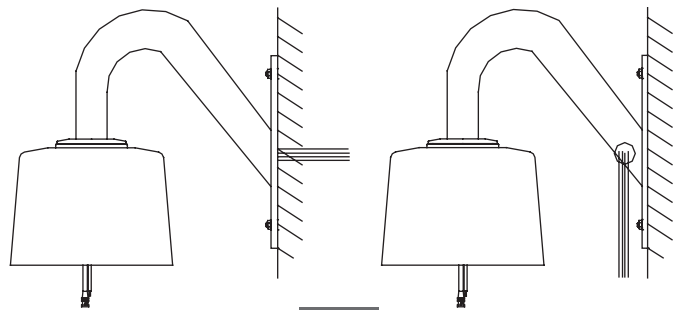


FIG. 4

[ The Cable Out of the Ceiling ]

# Installation



## CONTENTS

1. GOOSENECK MOUNT BRACKET	1 EA	3. CAP	1 EA
2. SET ANCHOR BOLT (W5/16)	4 EA	4. MANUAL	1 EA

1. If you want to install the speed dome on the concrete wall, you need to make 12.5mm diameter 4 holes by drill like FIG. 1 ( Depth 37mm)
2. Install SET ANCHOR BOLT on the holes.
3. Drive a cap on the pipe. (FIG. 2)
4. After winding the THREAD SEAL TAPE, screw the bracket on the housing. (FIG. 3)
5. Fix SET ANCHOR BOLT SET of the bracket by nut.

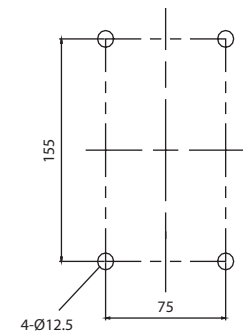


FIG. 1

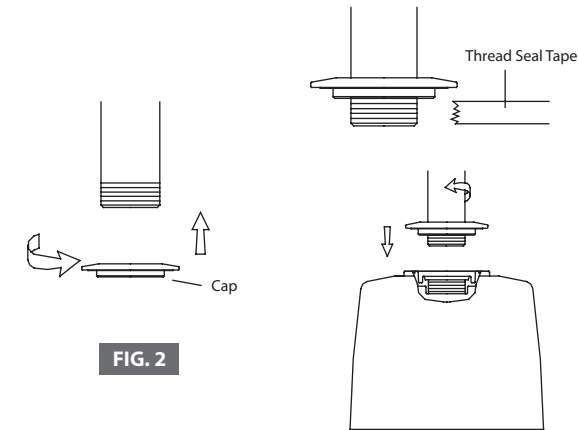


FIG. 2

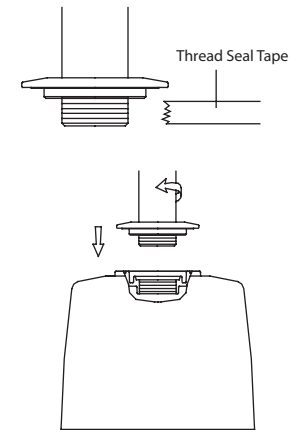


FIG. 3

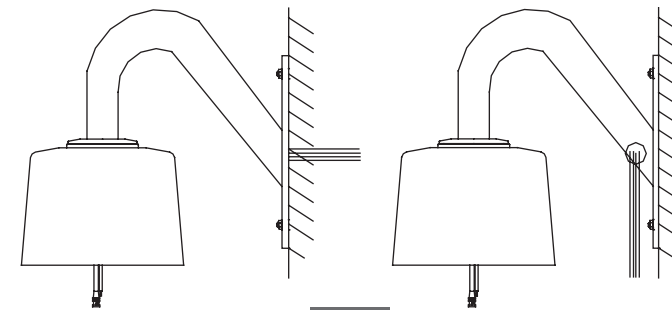


FIG. 4

[ The Cable Out of the Ceiling ]