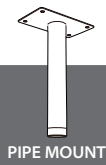


Installation



PIPE MOUNT

CONTENTS

1. PIPE MOUNT BRACKET	1 EA	4. RUBBER	1 EA
2. SET ANCHOR BOLT (W5/16)	4 EA	5. MANUAL	1 EA
3. M4 x 12 SCREW	5 EA		

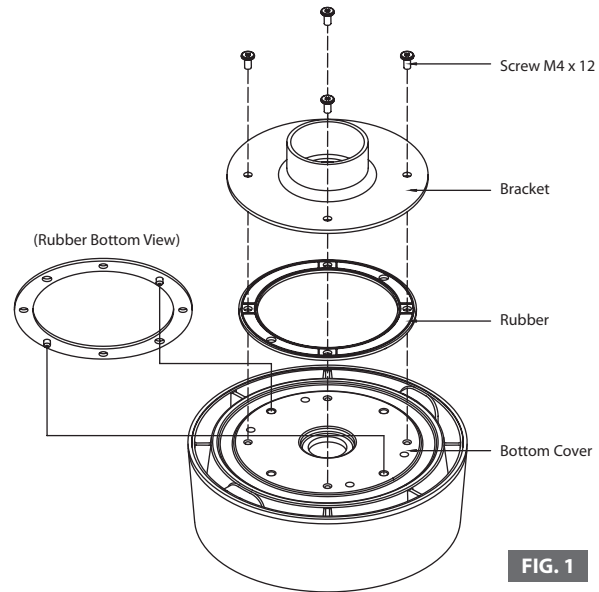


FIG. 1

1. As above FIG.1, assemble rubber and bracket on the bottom of camera. (FIG. 1)
2. After finishing assembly, it will be shown as below. (FIG. 2)

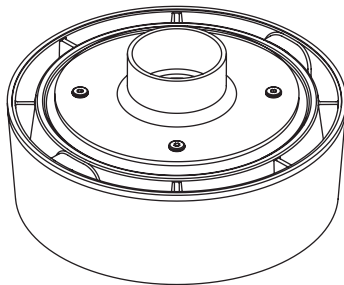
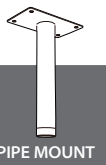


FIG. 2

Installation



PIPE MOUNT

3. If you want to install the Mini PTZ on the concrete wall, you need to make 12.5mm diameter 4 holes by drill like FIG. 3. (Depth 37mm)
4. Install SET ANCHOR BOLT on the holes.
5. As shown on FIG. 4, after assembling Mini PTZ and bottom cover assembly, drive the pipe mount bracket and fix.

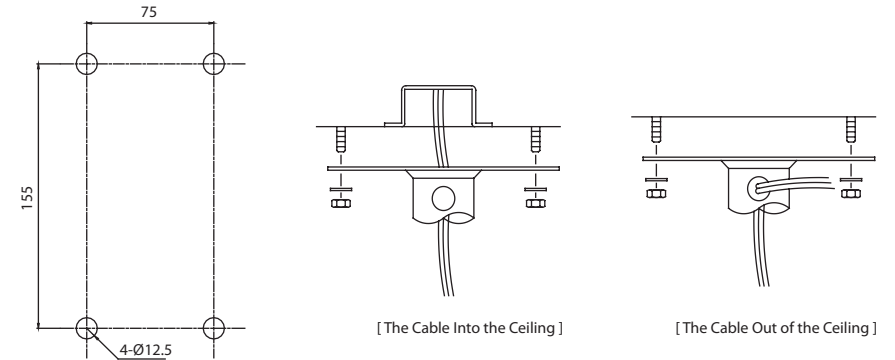


FIG. 3

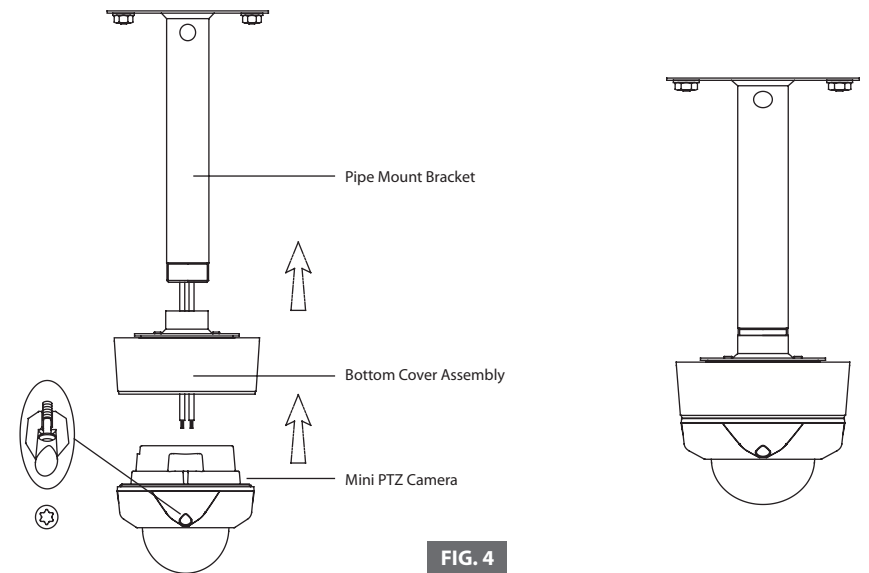


FIG. 4