

# Installation



## CONTENTS

1. WALL MOUNT BRACKET	1 EA	4. SPRING WASHER Ø4	5 EA
2. SET ANCHOR BOLT (W5/16)	4 EA	5. WRENCH (3mm)	1 EA
3. M4 x 16 SCREW	5 EA	6. MANUAL	1 EA

1. When you install IR PTZ Camera on the wall, make 4 holes at the edge with Ø13 in diameter and 37mm in depth and install 4 pieces of Anchor bolt in the Ø13 holes at the edge. (FIG. 1)

- \* If you want to connect the cables from the inside of the wall, also ake a hole for the cables with about Ø30~50 in diameter in the center of 4 edges.
- \* In order to avoid the impact of the Camera and Bracket when moving, set and drill in the long side as length and the short side as height.
- \* Check also if the long side of the Bracket sets as length and the short side of the Bracket sets as height.

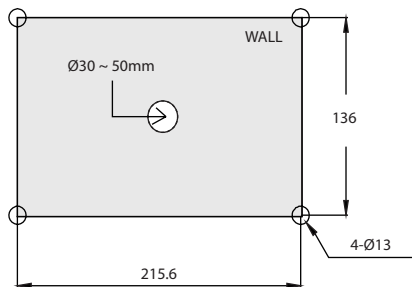


FIG. 1

2. Connect the Camera to Wall Mount Bracket with 4 pieces of M4\*16 screws and Spring Washer. (FIG. 2)
3. Connect the Safety wire of the Camera to the Bracket. In order to avoid getting entangled in the Camera, fasten the Safety wire to the bracket with Cable tie. (FIG. 3)

# Installation

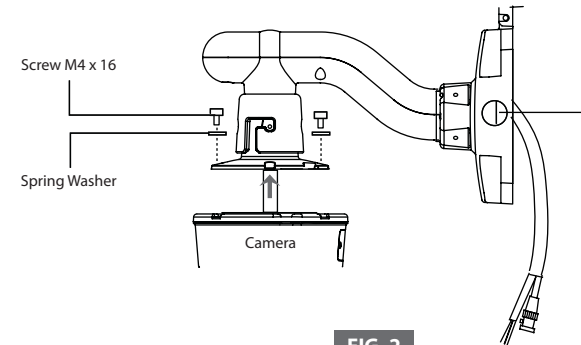


FIG. 2

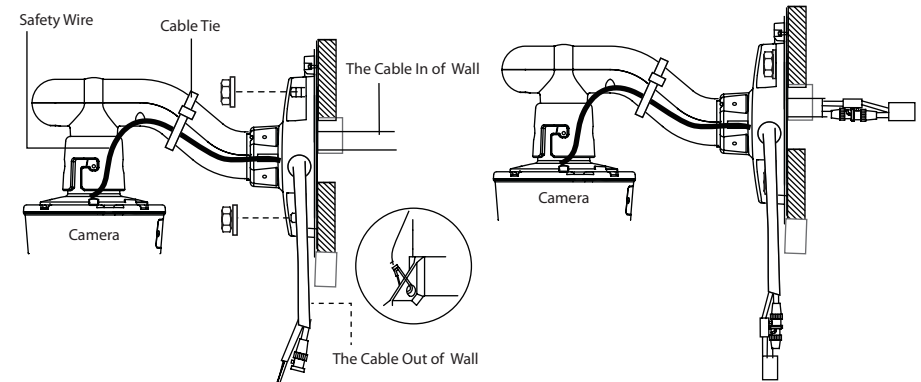


FIG. 3

FIG. 4

4. When you want to connect the cables from the inside of wall, pass the cables through the wall. When you want to connect the cables from the outside of wall, remove the hole cap from the side of the bracket and pass the cables through the hole.
5. Install 4 pieces of Anchor bolt in the holes at the edge and tight enough with NUTs. (FIG. 3)
6. Connect the cables. (FIG. 4)