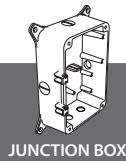


Installation

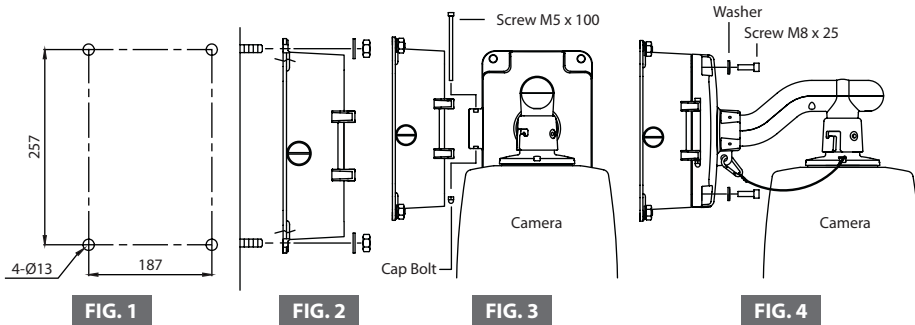


CONTENTS

1. JUNCTION BOX	1 EA	4. WASHER	4 EA
2. SET ANCHOR BOLT (W5/16)	4 EA	5. WRENCH (6mm)	1 EA
3. M8 x 25 SCREW	4 EA	6. MANUAL	1 EA

A. Install on a wall

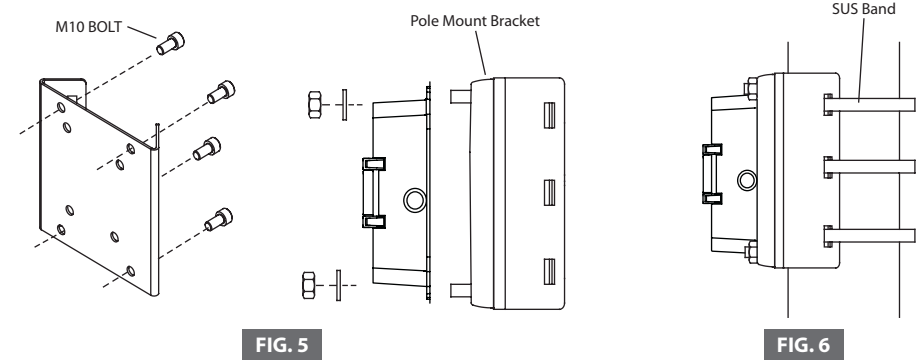
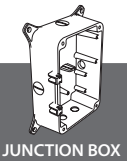
- A-1. If you want to install the Camera on the concrete wall, you need to make 13mm diameter 4 holes by drill like FIG. 1. (Depth 37mm)
- A-2. Install SET ANCHOR BOLT on the holes.
- A-3. Fix the SET ANCHOR BOLT of the bracket by nut. (FIG. 2)
- A-4. Fit the Wall Mount Bracket Assy into the Junction Box as FIG. 1 and fix them with Screw M5 x 100 and close it up with Cap Bolt. (FIG. 3)
- A-5. Put the Junction Box and the Wall Mount Bracket together with Screw M8 x 25. (FIG. 4)



B. Install on a pole mount

- B-1. Fix the wanted bracket on the pole mount bracket with 4ea of M10 Bolt before you install the pole mount bracket. (FIG. 5)
- B-2. Tie the bracket with SUS BAND tightly. (FIG. 6)
- B-3. Fit the Wall Mount Bracket Assy into the Junction Box as FIG. 1 and fix them with Screw M5 x 100 and close it up with the Cap bolt. (FIG. 3)
- B-4. Put the Junction Box and the Wall Mount Bracket together with Screw M8 x 25. (FIG. 4)

Installation



C. Install on a corner mount

- C-1. First mark the positions of holes placing the corner mount bracket. (FIG. 6)
- C-2. Make $\varnothing 13\text{mm}$ 4 holes by drill. (Depth 37mm)
- C-3. Install SET ANCHOR BOLT on the holes. (FIG. 7)
- C-4. Fix the wanted Junction box on the corner mount bracket with 4EA of M10 BOLT before you install the corner mount bracket. Screw the set anchor bolt of the bracket by nut on the wall. (FIG. 8)
- C-5. Fit the Wall Mount Bracket Assy into the Junction Box as FIG. 3 and fix them with Screw M5 x 100 and close it up with the Cap Bolt. (FIG. 3)
- C-6. Put the Junction Box and the Wall Mount Bracket together with Screw M8 x 25. (FIG. 4)

