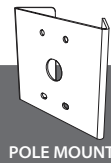


Installation



CONTENTS

1. POLE MOUNT BRACKET	1EA	4. SPRING WASHER	4EA
2. SUS BAND	2EA	5. WASHER	4EA
3. M6 BOLT & NUT	4EA	6. MANUAL	1EA

1. Fix the wanted bracket on the pole mount bracket with 4 ea of M6 BOLT before you install the pole mount bracket. (FIG. 1)

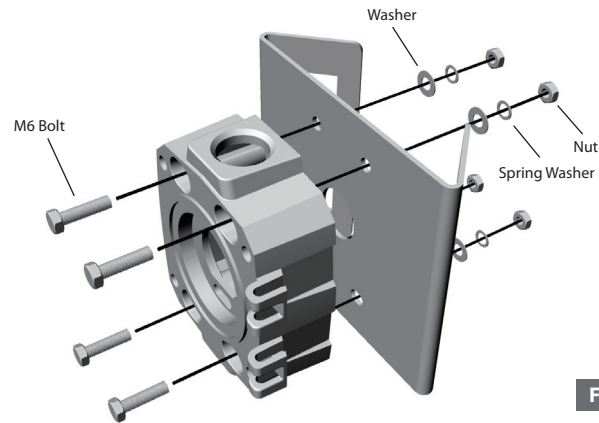


FIG. 1

2. Tie the bracket with SUS BAND tightly. (FIG. 2)

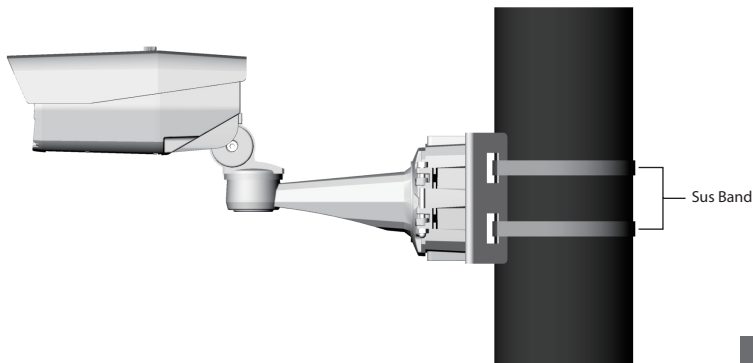
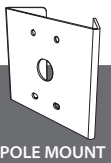


FIG. 2

Installation



CONTENTS

1. POLE MOUNT BRACKET	1EA	4. SPRING WASHER	4EA
2. SUS BAND	2EA	5. WASHER	4EA
3. M6 BOLT & NUT	4EA	6. MANUAL	1EA

1. Fix the wanted bracket on the pole mount bracket with 4 ea of M6 BOLT before you install the pole mount bracket. (FIG. 1)

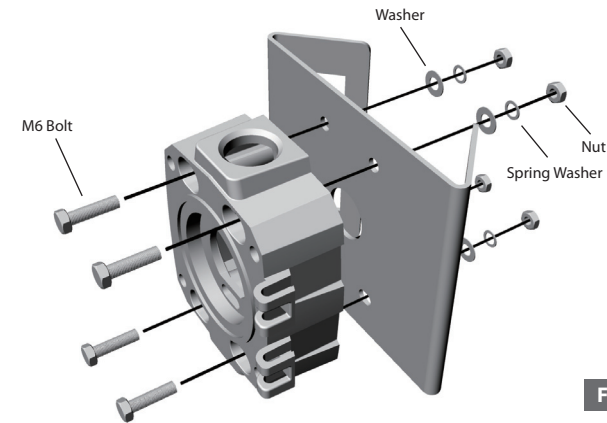


FIG. 1

2. Tie the bracket with SUS BAND tightly. (FIG. 2)

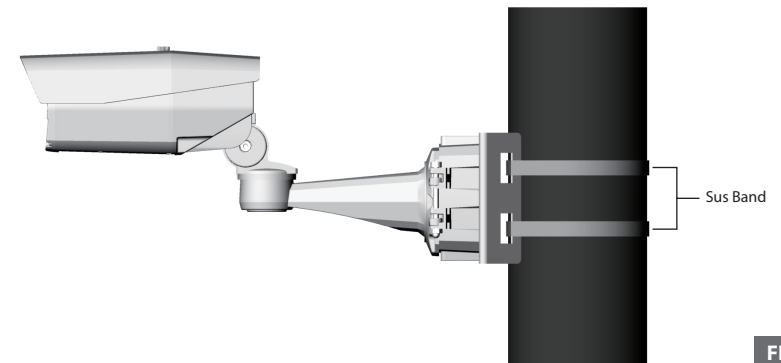


FIG. 2