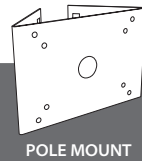


Installation



CONTENTS

1. POLE MOUNT BRACKET	1 EA	3. M10 BOLT & NUT	4 EA
2. SUS BAND	3 EA	4. MANUAL	1 EA

A. Install on a wall bracket kits

A-1. Fix the want bracket on the Pole Mount Bracket with 4 EA of M10 Bolt before you install the Pole Mount Bracket. (FIG. 1)

A-2. Tie the bracket with Sus Band tightly. (FIG. 2)

* Wall Mount Bracket use an inside hole of Pole Mount. (215.6 x 136)

Please confirm Wall Mount Bracket's direction.

In order to avoid the impact of the Camera and Bracket when moving, set in the long side as lenght and the short side as height.

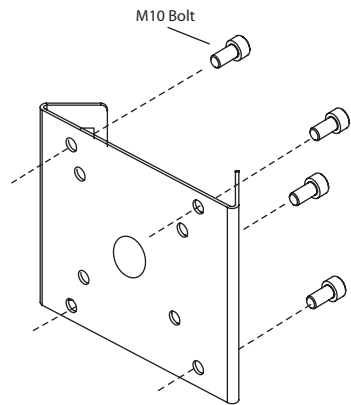


FIG. 1

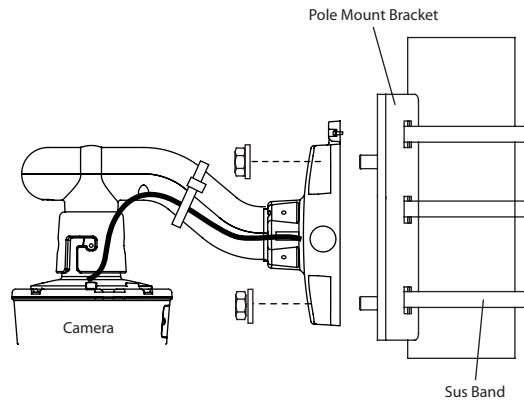
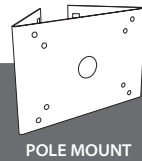


FIG. 2

Installation



B. Install on a junction box

B-1. Fix the want bracket on the Pole Mount Bracket with 4 EA of M10 Bolt before you install the Pole Mount Bracket. (FIG. 1)

B-2. Tie the bracket with Sus Band tightly. (FIG. 3)

* Junction Box use an outside hole of Pole Mount. (256.8 x 186.8)

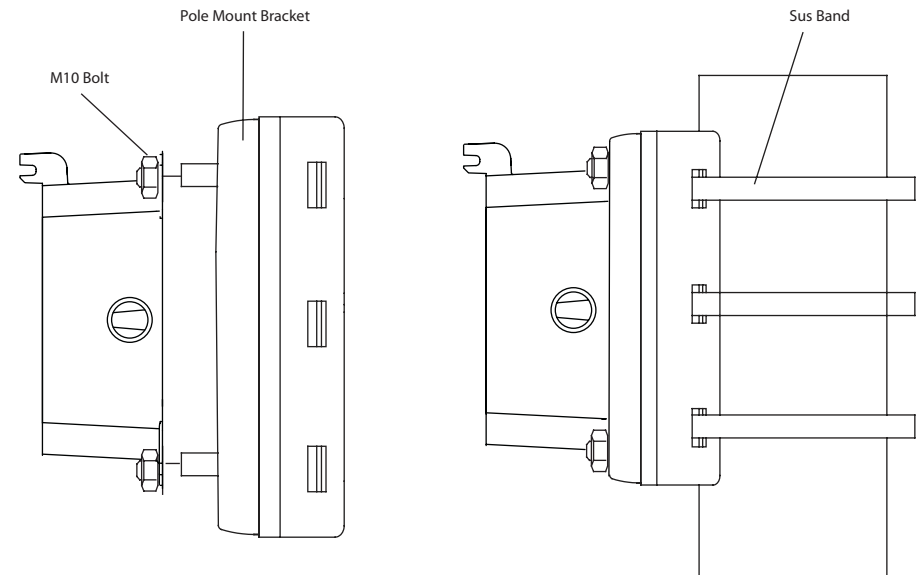


FIG. 3