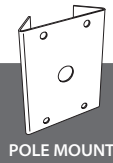


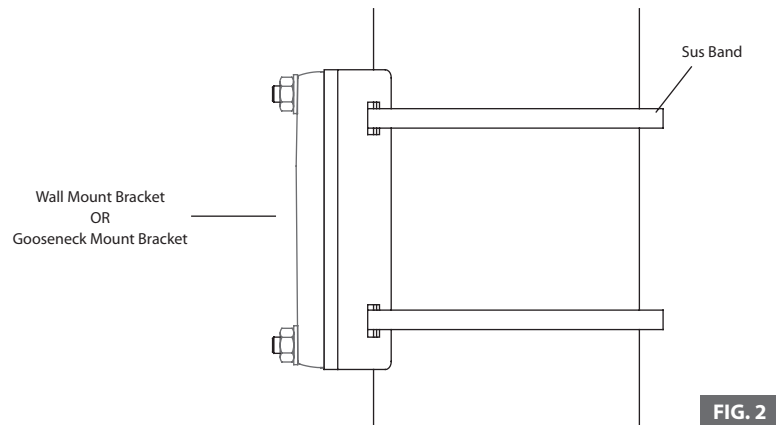
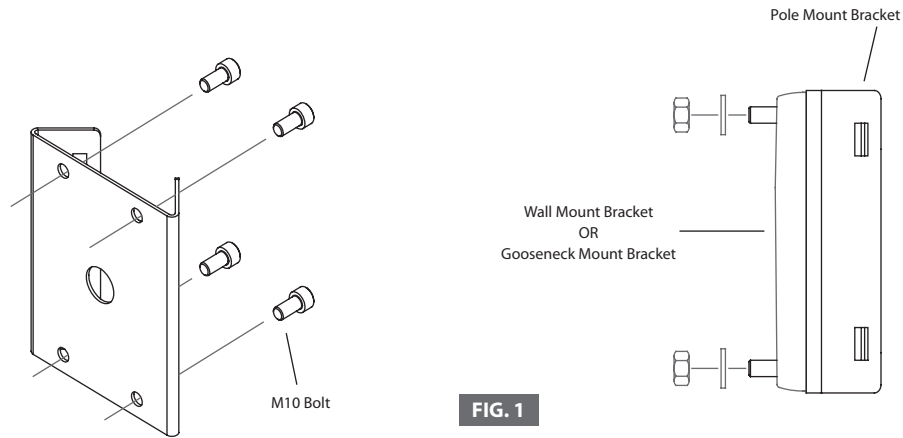
Installation



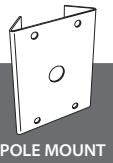
CONTENTS

- | | | | |
|-----------------------|------|-------------------------------------|------|
| 1. POLE MOUNT BRACKET | 1 EA | 3. M10 x 45 BOLT & NUT & WASHER SET | 4 EA |
| 2. SUS BAND | 2 EA | 4. MANUAL | 1 EA |

1. Fix the wanted bracket on the pole mount bracket with 4 ea of M10 BOLT before you install the pole mount bracket. (FIG. 1)
2. Tie the bracket with SUS BAND tightly. (FIG. 2)



Installation



CONTENTS

- | | | | |
|-----------------------|------|-------------------------------------|------|
| 1. POLE MOUNT BRACKET | 1 EA | 3. M10 x 45 BOLT & NUT & WASHER SET | 4 EA |
| 2. SUS BAND | 2 EA | 4. MANUAL | 1 EA |

1. Fix the wanted bracket on the pole mount bracket with 4 ea of M10 BOLT before you install the pole mount bracket. (FIG. 1)
2. Tie the bracket with SUS BAND tightly. (FIG. 2)

