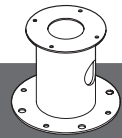


# Installation



MULTI MOUNT BRACKET

## CONTENTS

1. MULTI MOUNT BRACKET	1 EA	6. FLAT WASHER M6	4 EA
2. WRENCH BOLT M6 x 15	4 EA	7. FLAT WASHER M8, M12	8 EA
3. L-WRENCH	1 EA	8. M8 x 40, M12 x 45 HEX BOLT & NUT	4 EA
4. SPRING WASHER M6	4 EA	9. ANCHOR BOLT 1/2" x 4"	4 EA
5. SPRING WASHER M8, M12	8 EA	10. MANUAL	1 EA

1. Place the camera and the bracket fitting the positions of holes.
2. Referring to the image, place the flat washers, spring washers and fix the camera and the bracket using wrench bolt. (FIG. 1)

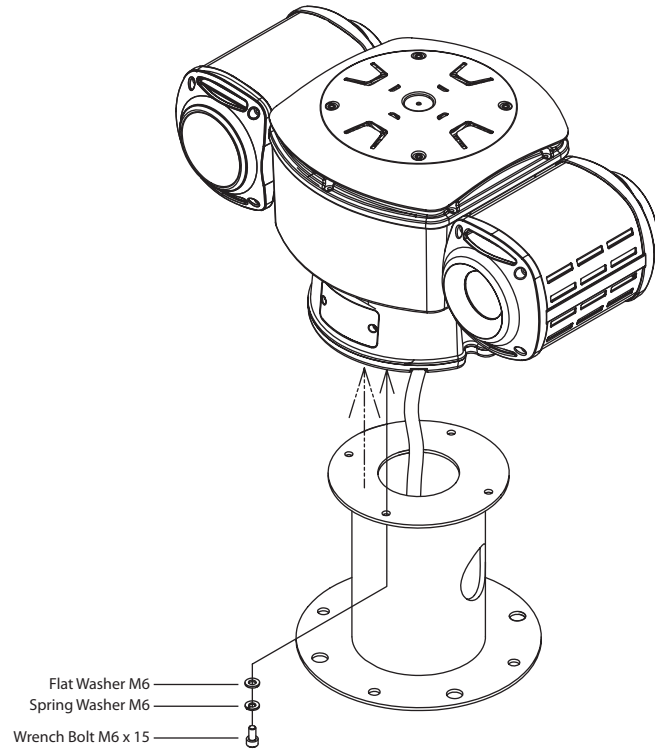
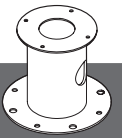


FIG. 1

# Installation



MULTI MOUNT BRACKET

3. Fix the bracket on the wished installation spot.
4. Referring to the image, place the flat washers, spring washers and fix the camera and the bracket using Hex bolt. (FIG. 2)  
Depending on the situation use M12 x 45 or M8 x 40.
5. Referring to the image, place the flat washers, spring washers and fix the nuts. (FIG. 2)

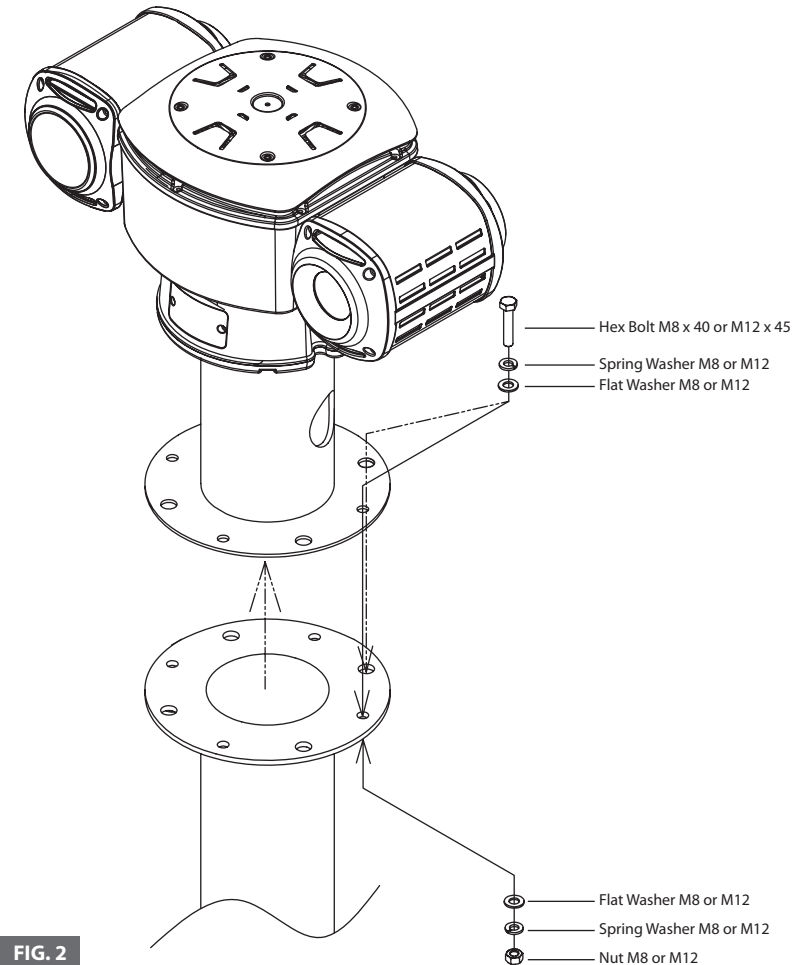
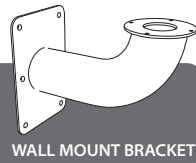


FIG. 2

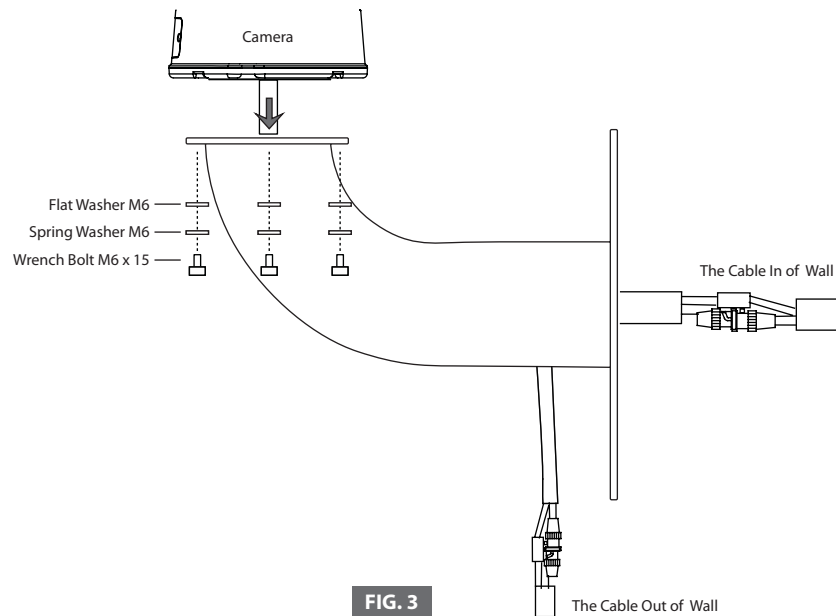
# Installation



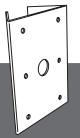
## CONTENTS

1. WALL MOUNT BRACKET	1 EA	6. FLAT WASHER M6	4 EA
2. WRENCH BOLT M6 x 15	4 EA	7. FLAT WASHER M12	8 EA
3. L-WRENCH	1 EA	8. M12 x 45 BOLT & NUT	4 EA
4. SPRING WASHER M6	4 EA	9. ANCHOR BOLT 1/2" x 4"	6 EA
5. SPRING WASHER M12	8 EA	10. MANUAL	1 EA

1. Place the camera and the bracket fitting the positions of holes.
2. Referring to the image, place the flat washers, spring washers and fix the camera and the bracket using wrench bolt. (FIG. 3)



# Installation



## CONTENTS

1. POLE MOUNT BRACKET	1 EA	4. SPRING WASHER M12	12EA
2. SUS BAND	3 EA	5. FLAT WASHER M12	12EA
3. M12 x 45 BOLT & NUT	6 EA	6. MANUAL	1 EA

1. Fix the want bracket on the Pole Mount Bracket with 6 EA of M12 Bolt before you install the Pole Mount Bracket. (FIG. 4)
2. Tie the bracket with Sus Band tightly. (FIG. 5)

\* Wall Mount Bracket use an inside hole of Pole Mount.  
Please confirm Wall Mount Bracket's direction.  
In order to avoid the impact of the Camera and Bracket when moving, set in the long side as length and the short side as height.

